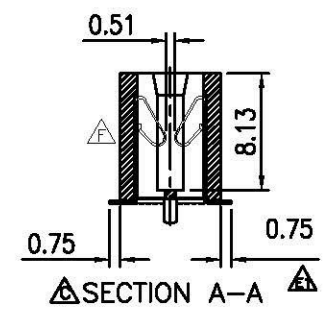
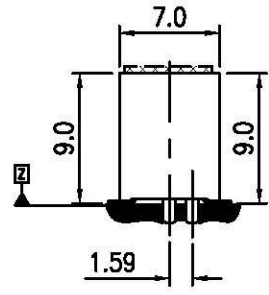
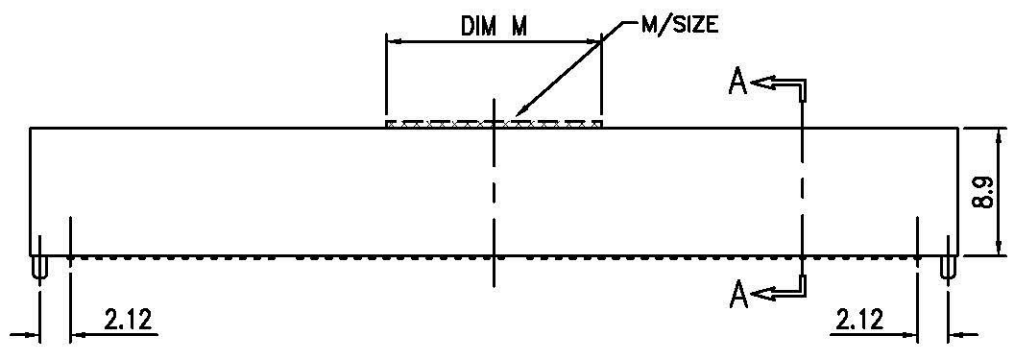
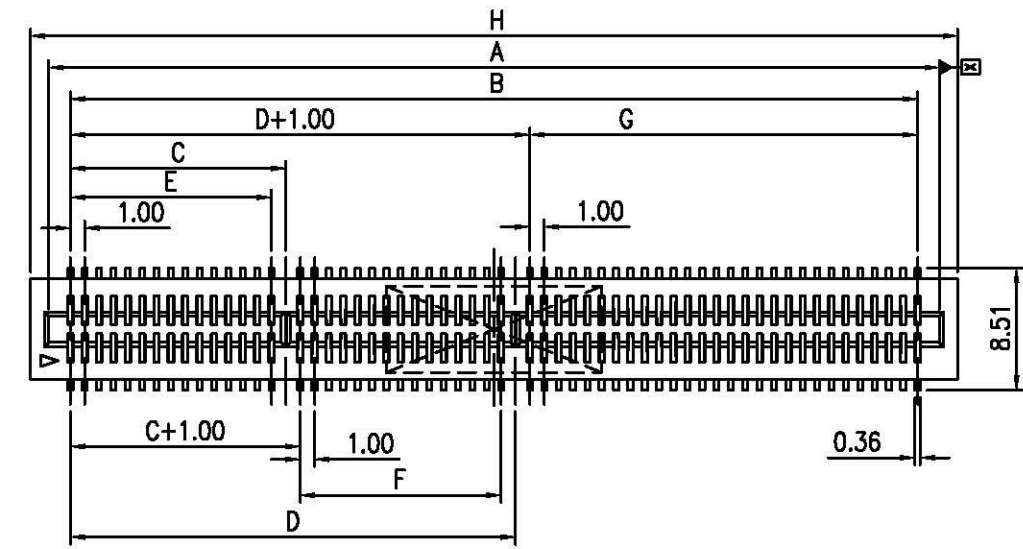


- NOTES:
1. MATERIALS:
HOUSING IS HIGH TEMPERATURE PLASTIC
TERMINAL IS PHOSPHOR BRONZE
 2. UNDER PLATING: NICKEL 1.27 μm MIN. OVER ALL
 3. FINISH: SEE ORDER INFORMATION
 4. COPLANARITY IS 0.1mm MAX. BASE ON DATUM Z
 5. TRUE POSITION IS 0.1mm MAX. BASE ON DATUM X

E10-VPCR-xxx-LF
LEADFREE
010~120WAY
RoHS Compliant



P/N	POS.	DIM A	DIM B	DIM C	DIM D	DIM E	DIM F	DIM G	DIM H	M/size	DIM M	POSITION POLARIZED
E10-VPCR-010	10	7.00	4.00	1.00	N/A	N/A	N/A	N/A	9.54	W3T12	3	3,4
E10-VPCR-016	16	10.00	7.00	2.00	N/A	N/A	N/A	N/A	12.54	W3T12	3	5,6
E10-VPCR-040	40	22.00	19.00	7.00	N/A	6.00	N/A	N/A	24.54	W6T12	6	15,16
E10-VPCR-050	50	27.00	24.00	9.00	N/A	8.00	N/A	N/A	29.54	W6T12	6	19,20
E10-VPCR-060	60	32.00	29.00	10.00	N/A	9.00	N/A	N/A	34.54	WAT12	10	21,22
E10-VPCR-080	80	42.00	39.00	15.00	N/A	14.00	N/A	N/A	44.54	WAT12	10	31,32
E10-VPCR-100	100	52.00	49.00	20.00	N/A	19.00	N/A	N/A	54.54	WAT12	10	41,42
E10-VPCR-120	120	62.00	59.00	15.00	31.00	14.00	14.00	27.00	64.54	WFT12	15	31,32,63,64
E10-VPCR-140	140	72.00	69.00	26.00	57.00	25.00	29.00	11.00	74.54	W6T12	40	53,54,115,116

Allconnectors
www.allconnectors.de
Tel.: 0049 /11 /009503
/0 /14 Hilderstadt - Germany

info@allconnectors.de
Fax: 0049 /11 /009504
Kettnerstr. 2b

PART NO. E10-VPCR-xxx
DWG NO. E10-VPCR-xxx

CHECKED BY CY
DRAWING BY

TOLERANCES ARE
X \pm
.XX \pm
.XXX \pm
AWG

DESCRIPTION: **1.0mm MINI EDGE SOCKET SMT D/R TYPE**

AREA	REVISIONS	HK	DATE
------	-----------	----	------

FILE NO.
UNIT / mm SCALE 1:1

PROJECTION